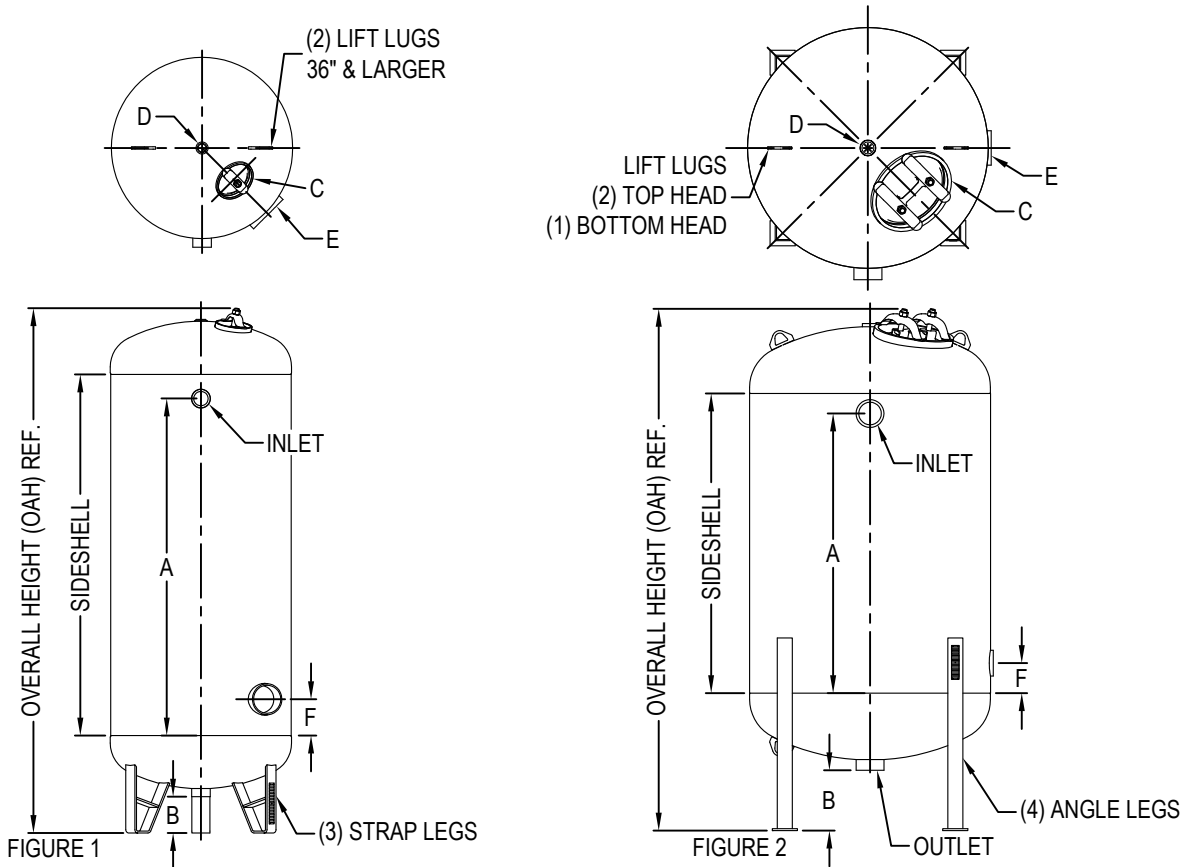




P.O.Box 338, Kendallville, IN 46755

Phone: 800-348-2514 | Fax: 800-348-1514 | Email: quote@quicktanks.com | Web: www.quicktanks.com

ASME CODE (SECT. VIII, DIV.1 "U" STAMP) QUICK WATER TREATMENT (QWTC) TANKS
 NSF/ANSI STANDARD 61 CERTIFIED LINING & FINISH COATED IN SAFETY BLUE EPOXY
 100 PSIG WORKING PRESSURE
 (HIGHER PRESSURES & LEFT HAND MODELS ALSO AVAILABLE - CALL FOR DETAILS)



DIMENSIONAL CHART

DIA.	SIDE SHELL	INLET / OUTLET	FIG.	A	B	C	D	E	F	OAH	VOLUME (US GAL.)	HEAD VOLUME INCL. SF* (cu. ft.)	MODEL #
20"	54"	2" NPT	1	50"	6"	4" X 6"	1" NPT	4" X 6"	6"	75"	83	0.8	QWTC2054LC
	60"			81"						91	QWTC2060LC		
24"	54"	2" NPT	1	50"	6"	4" X 6"	1" NPT	4" X 6"	6"	77"		122	1.3
	60"			83"						133	QWTC2460LC		
30"	54"	2" NPT	1	50"	6"	4" X 6"	1" NPT	4" X 6"	6"	81"		198	2.6
	60"			87"						216	QWTC3060LC		
30"	54"	3" NPT	1	50"	9"	4" X 6"	1" NPT	6" X 8"	8"	84"		198	2.6
	60"			90"						216	QWTC3060LC-3		
	72"			95"						321		QWTC3660LC	
36"	60"	3" NPT	1	55-3/4"	9"	12" X 16"	1" NPT	6" X 8"	7"	107"	374		4.6
	72"			109"						452	QWTC4260LC		
	84"			523						QWTC4272LC			
42"	60"	3" NPT	1	55-3/4"	9"	12" X 16"	1" NPT	6" X 8"	7"		104"	601	10.2
	72"			116"						694	QWTC4872LC		
	84"			797						QWTC5460LC			
54"	60"	4" NPT	2	55-3/4"	12"	12" X 16"	2" NPT	4" X 6"	6"		109"	914	14.2
	72"			121"						1006	QWTC6060LC		
	84"			1151						QWTC6072LC			
60"	60"	4" NPT	2	55-3/4"	12"	12" X 16"	2" NPT	4" X 6"	6"		111"	1246	19.2
	72"			123"						1421	QWTC6672LC		
	84"			127"						1516		QWTC7260LC	
66"	60"	4" NPT	2	55-3/4"	12"	12" X 16"	2" NPT	4" X 6"	6"	117"	1724		25.1
	72"			129"						32.2	QWTC7272LC		
72"	60"	4" NPT	2	55-3/4"	12"	12" X 16"	2" NPT	4" X 6"	6"	117"		1516	32.2
	72"			129"						1724	QWTC7272LC		