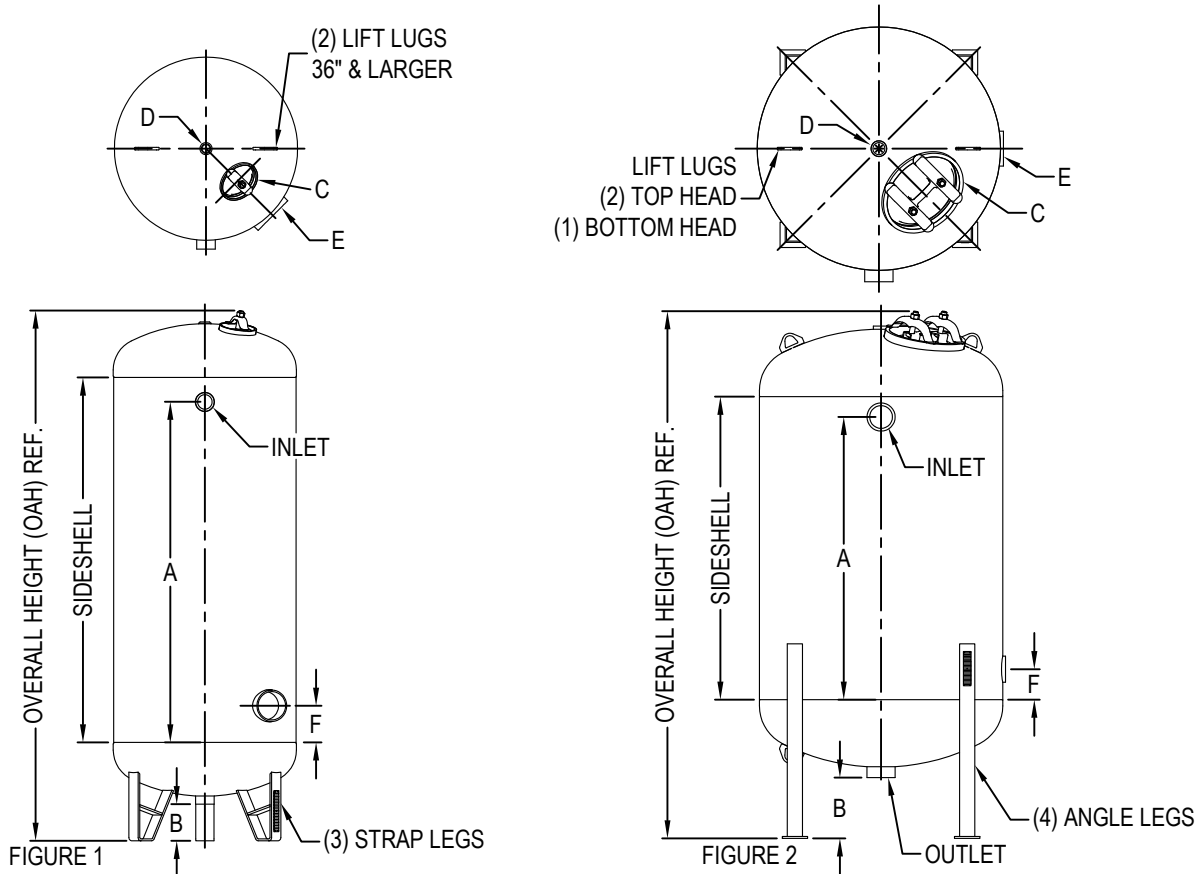


ASME CODE (SECT. VIII, DIV.1 "U" STAMP) QUICK WATER TREATMENT (QWTC) TANKS  
 NSF/ANSI STANDARD 61 CERTIFIED LINING & FINISH COATED IN SAFETY BLUE EPOXY  
 100 PSIG WORKING PRESSURE  
 (HIGHER PRESSURES & LEFT HAND MODELS ALSO AVAILABLE - CALL FOR DETAILS)



DIMENSIONAL CHART

DIA.	SIDE SHELL	INLET / OUTLET	FIG.	A	B	C	D	E	F	OAH	VOLUME (US GAL.)	HEAD VOLUME INCL. SF* (cu. ft.)	MODEL #
20"	54"	2" NPT	1	50"	6"	4" X 6"	1" NPT	4" X 6"	6"	75"	83	0.8	QWTC2054LC
	60"			81"						91	QWTC2060LC		
24"	54"	2" NPT	1	50"	6"	4" X 6"	1" NPT	4" X 6"	6"	77"	122	1.3	QWTC2454LC
	60"			83"						133	QWTC2460LC		
30"	54"	2" NPT	1	50"	6"	4" X 6"	1" NPT	4" X 6"	6"	81"	198	2.6	QWTC3054LC
	60"			87"						216	QWTC3060LC		
30"	54"	3" NPT	1	50"	9"	4" X 6"	1" NPT	6" X 8"	8"	84"	198	2.6	QWTC3054LC-3
	60"			90"						216	QWTC3060LC-3		
36"	60"	3" NPT	1	55-3/4"	9"	12" X 16"	1" NPT	6" X 8"	7"	95"	321	4.6	QWTC3660LC
	72"			107"						374	QWTC3672LC		
42"	60"	3" NPT	1	55-3/4"	9"	12" X 16"	1" NPT	6" X 8"	7"	97"	452	7.2	QWTC4260LC
	72"			109"						523	QWTC4272LC		
48"	60"	4" NPT	2	55-3/4"	12"	12" X 16"	2" NPT	4" X 6"	6"	104"	601	10.2	QWTC4860LC
	72"			116"						694	QWTC4872LC		
54"	60"	4" NPT	2	55-3/4"	12"	12" X 16"	2" NPT	4" X 6"	6"	109"	797	14.2	QWTC5460LC
	72"			121"						914	QWTC5472LC		
60"	60"	4" NPT	2	55-3/4"	12"	12" X 16"	2" NPT	4" X 6"	6"	111"	1006	19.2	QWTC6060LC
	72"			123"						1151	QWTC6072LC		
66"	60"	4" NPT	2	55-3/4"	12"	12" X 16"	2" NPT	4" X 6"	6"	115"	1246	25.1	QWTC6660LC
	72"			127"						1421	QWTC6672LC		
72"	60"	4" NPT	2	55-3/4"	12"	12" X 16"	2" NPT	4" X 6"	6"	117"	1516	32.2	QWTC7260LC
	72"			129"						1724	QWTC7272LC		