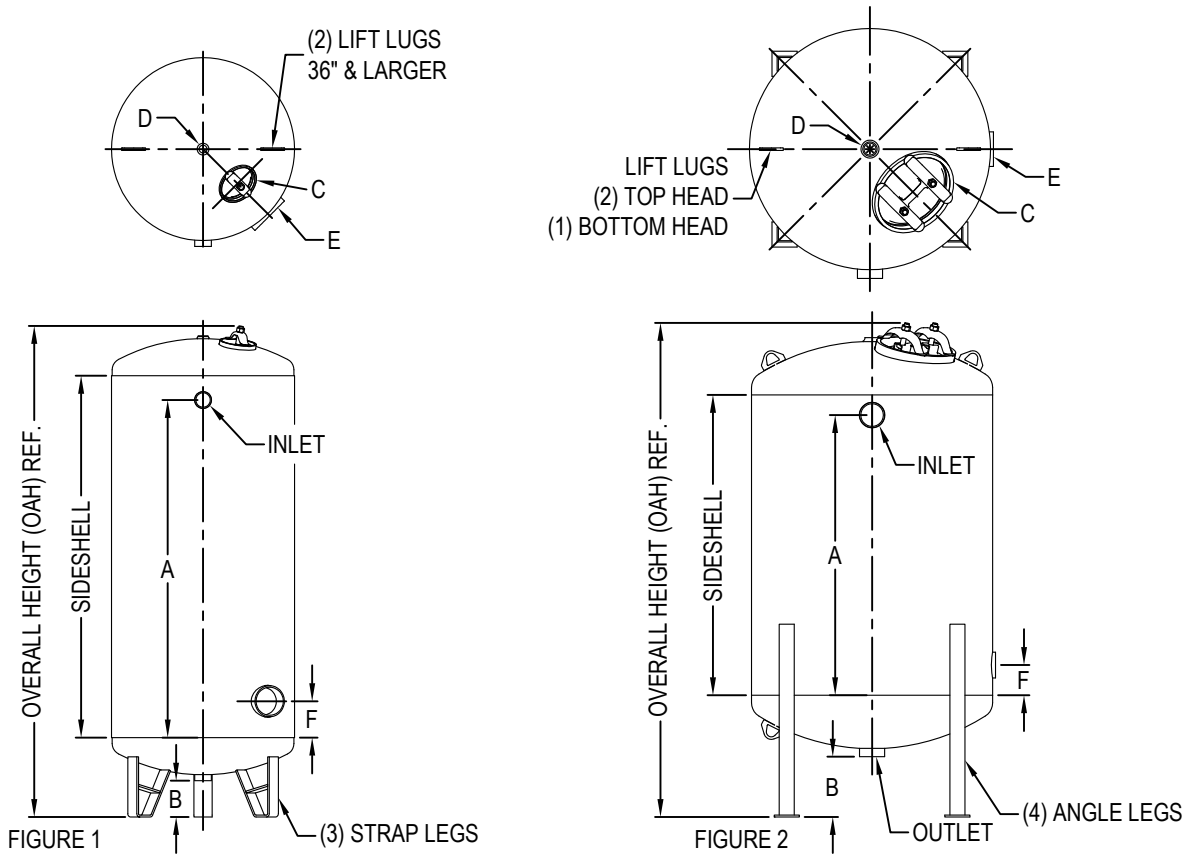




P.O.Box 338, Kendallville, IN 46755

Phone: 800-348-2514 | Fax: 800-348-1514 | Email: quote@quicktanks.com | Web: www.quicktanks.com

NON-CODE QUICK WATER TREATMENT (QWT) TANKS
NSF/ANSI STANDARD 61 CERTIFIED LINING & FINISH COATED IN SAFETY BLUE EPOXY
100 PSIG WORKING PRESSURE
(HIGHER PRESSURES & LEFT HAND MODELS ALSO AVAILABLE - CALL FOR DETAILS)



DIMENSIONAL CHART													
DIA.	SIDE SHELL	INLET / OUTLET	FIG.	A	B	C	D	E	F	OAH	VOLUME (US GAL.)	HEAD VOLUME INCL. SF (cu. ft.)	MODEL #
20"	54"	2" NPS	1	50"	6"	4" X 6"	1" NPT	4" X 6"	6"	70"	77	0.5	QWT2054LC
	60"			55-3/4"						76"	85		QWT2060LC
24"	54"	2" NPS	1	50"	6"	4" X 6"	1" NPT	4" X 6"	6"	72"	113	0.8	QWT2454LC
	60"			55-3/4"						78"	124		QWT2460LC
30"	54"	2" NPS	1	50"	6"	4" X 6"	1" NPT	4" X 6"	6"	76"	188	1.9	QWT3054LC
	60"			55-3/4"						82"	205		QWT3060LC
30"	54"	3" NPT	1	50"	9"	4" X 6"	1" NPT	6" X 8"	8"	79"	188	1.9	QWT3054LC-3
	60"			55-3/4"						85"	205		QWT3060LC-3
	60"			55-3/4"						89"	298		QWT3660LC
36"	60"	3" NPT	1	55-3/4"	9"	12" X 16"	1" NPT	6" X 8"	7"	101"	350	3.0	QWT3672LC
	60"			55-3/4"						91"	413		QWT4260LC
	72"			67-3/4"						103"	484		QWT4272LC
42"	60"	3" NPT	1	55-3/4"	9"	12" X 16"	1" NPT	6" X 8"	7"	99"	567	7.0	QWT4860LC
	60"			55-3/4"						111"	660		QWT4872LC
	72"			67-3/4"						101"	730		QWT5460LC
48"	60"	4" NPT	2	55-3/4"	12"	12" X 16"	2" NPS	4" X 6"	6"	113"	848	9.7	QWT5472LC
	60"			55-3/4"						103"	915		QWT6060LC
	72"			67-3/4"						115"	1060		QWT6072LC
60"	60"	4" NPT	2	55-3/4"	12"	12" X 16"	2" NPS	4" X 6"	6"	103"	1101	12.9	QWT6660LC
	60"			55-3/4"						115"	1276		QWT6672LC
	72"			67-3/4"						107"	1359		QWT7260LC
72"	60"	4" NPT	2	55-3/4"	12"	12" X 16"	2" NPS	4" X 6"	6"	119"	1568	21.4	QWT7272LC
	72"			67-3/4"									