



P.O.Box 338, Kendallville, IN 46755

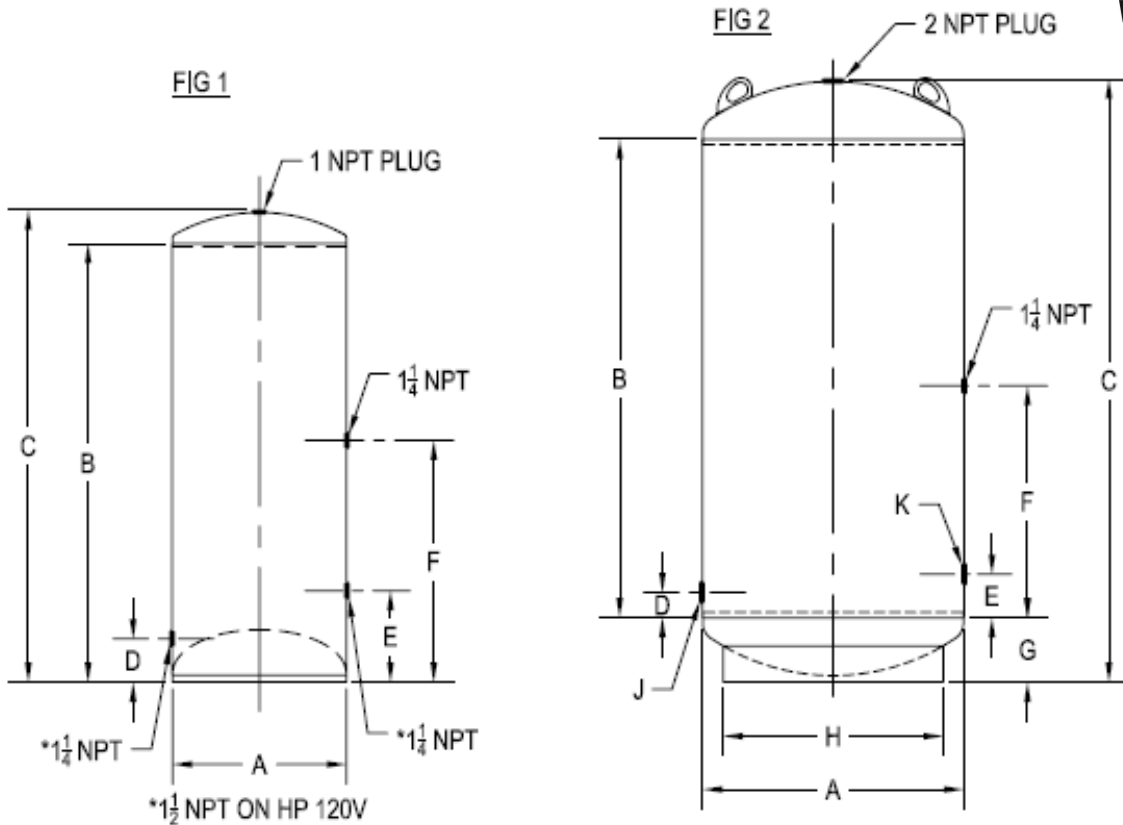
Phone: 800-348-2514 ♦ Fax: 800-348-1514 ♦ Email: quote@quicktanks.com ♦ Web: www.quicktanks.com

NON-CODE QC61® GALVANIZED VERTICAL TANKS HIGH PRESSURE

NSF/ANSI® STANDARD 61 CERTIFIED LINING
GALVANIZED VESSEL CERTIFIED TO NSF/ANSI STANDARDS 61-ANNEX G and 372
150 PSIG MAX. WORKING PRESSURE



WATER QUALITY
MH62569



**NOTE: ANODE BAR IS REQUIRED IF USED FOR HOT WATER SERVICE.
NSF/ANSI 61 CERTIFICATION IS FOR COLD WATER USE ONLY (23°C MAX)**

MODEL	WEIGHT	FIG#	- NOMINAL DIMENSIONS (INCHES) -								- NPT -	
			A	B	C	D	E	F	G	H	J	K
HP12V	40	1	12	24	26-7/8	3	5	13	-	-	-	-
HP21V	86	1	16	24	27	5	5	13	-	-	-	-
HP30V	97	1	16	36	39	5	8	17	-	-	-	-
HP42V	121	1	16	48	51	5	12	26	-	-	-	-
HP42VSQ	126	1	20	30	34	5	8	17	-	-	-	-
HP82V	211	1	20	60	63	5	12	33	-	-	-	-
HP120V	339	1	24	60	64-1/2	5	12	33	-	-	-	-
HP220V	618	2	30	66	78	2-1/2	6	32	6	24-1/4	2	2
HP315V	767	2	36	66	79-1/2	2-1/2	6	32	7	30-1/2	2	2
HP480VSQ	1222	2	42	72	87	3-1/2	6	32	7-1/2	36	2	3