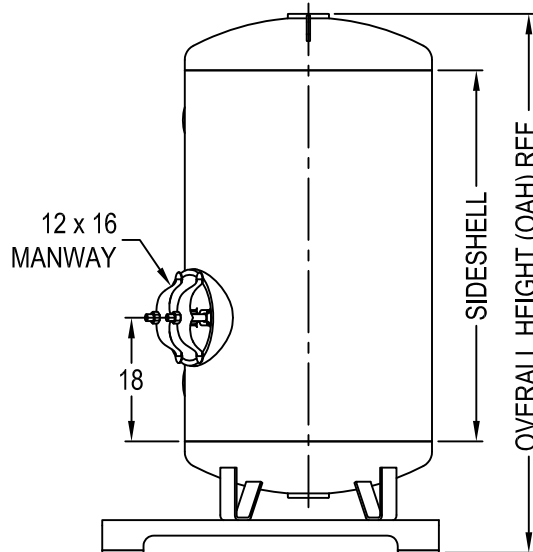
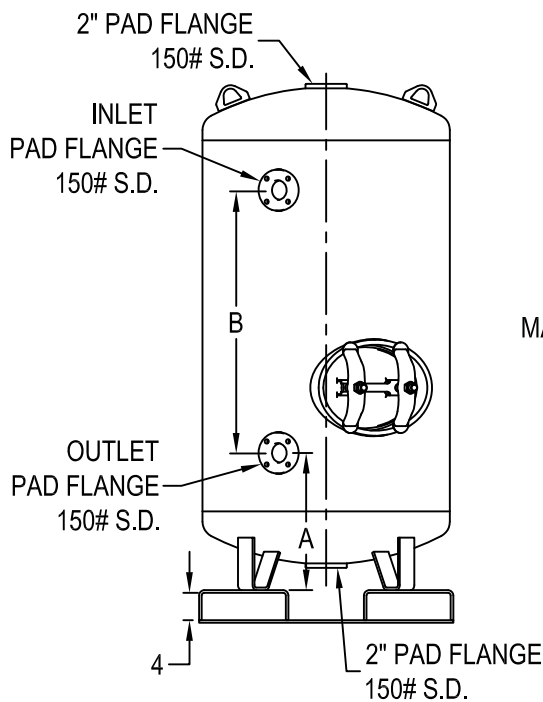
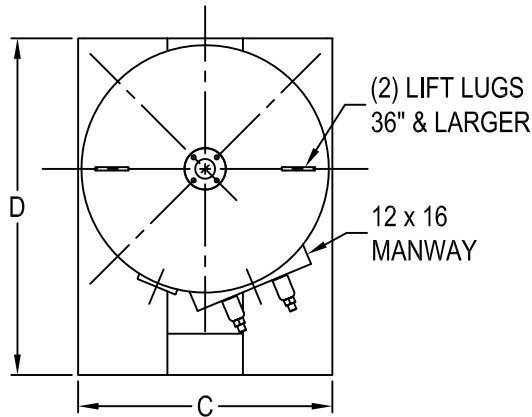




P.O.Box 338, Kendallville, IN 46755

Phone: 800-348-2514 | Fax: 800-348-1514 | Email: quote@quicktanks.com | Web: www.quicktanks.com

**NON-CODE QUICK PORTABLE EXCHANGE D.I. (QPEDI) TANKS
 POLYETHYLENE LINED & FINISH COATED IN SAFETY BLUE EPOXY
 WITH GALVANIZED SKID BASE
 100 PSIG WORKING PRESSURE**



DIMENSIONAL CHART

DIA.	SIDE SHELL	INLET / OUTLET	A	B	C	D	OAH	VOLUME (US GAL.)	HEAD VOLUME INCL. SF (cu. ft.)	MODEL #
30"	57"	2" PAD	18"	41.25"	31"	43"	79"	194	1.9	QPEDI3060-PE
36"	54"	2" PAD	20"	38.25"	37"	49"	79"	278	3.0	QPEDI3660-PE
42"	52"	3" PAD	21"	36.25"	43"	55"	79"	375	4.6	QPEDI4260-PE
48"	48"	3" PAD	23"	32.25"	49"	61"	79"	475	7.0	QPEDI4860-PE