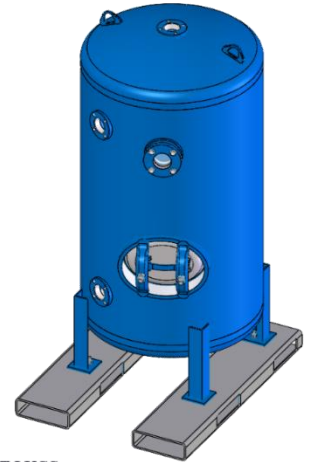
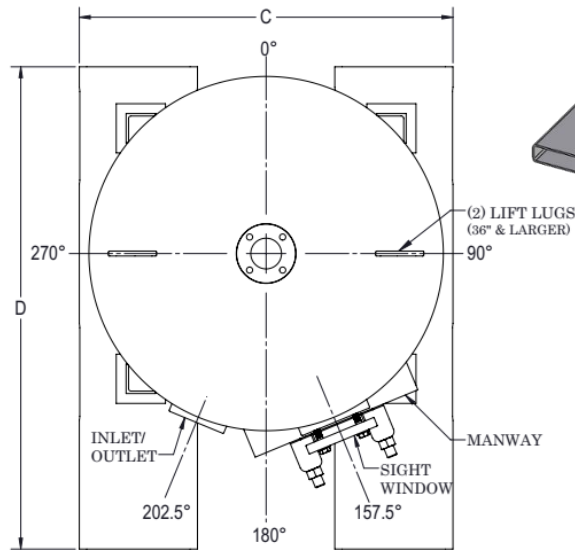
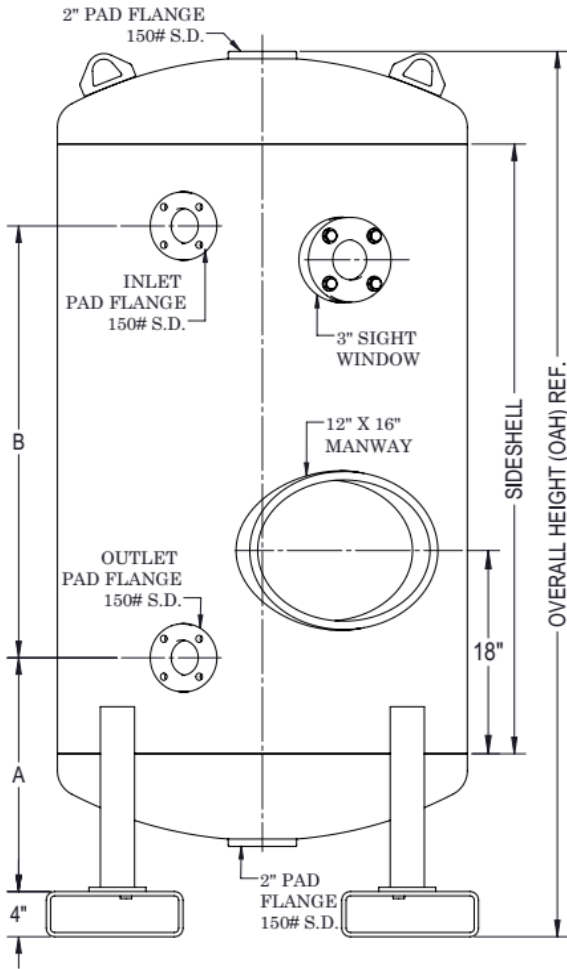


Portable Exchange Deionization Pressure Vessels

- ◆ Non-Code Construction
- ◆ 100 PSIG Working Pressure
- ◆ Vinyl Ester Lined
- ◆ Safety Blue Epoxy Exterior
- ◆ Galvanized Skid Base



DESIGN/SPECIFICATIONS SUBJECT TO CHANGE WITHOUT NOTICE

DIMENSIONAL CHART

| DIA. | SIDE SHELL | INLET/OUTLET | A | B | C | D | OAH | VOLUME (CU. FT.) | MODEL # |
|------|------------|--------------|-----------|---------|-----|-----|-----------|------------------|---------------|
| 24" | 60" | 2" PAD | 14-3/16" | 46-1/2" | 28" | 37" | 76-1/8" | 16.9 | QPEDI2460-VE |
| 30" | 57" | 2" PAD | 18-15/16" | 41-1/4" | 31" | 43" | 77-13/16" | 26.6 | QPEDI3057-VE |
| 30" | 60" | 2" PAD | 18-15/16" | 44" | 31" | 43" | 80-9/16" | 27.7 | QPEDI3060-VE |
| 36" | 54" | 2" PAD | 20-11/16" | 38-1/4" | 38" | 49" | 78-7/16" | 37.1 | QPEDI3654-VE |
| 36" | 54" | 3" PAD | 20-11/16" | 38-1/4" | 38" | 49" | 78-7/16" | 37.1 | QPEDI3654-3VE |
| 36" | 60" | 2" PAD | 20-11/16" | 44" | 38" | 49" | 84-3/16" | 40.4 | QPEDI3660-VE |
| 36" | 60" | 3" PAD | 20-11/16" | 44" | 38" | 49" | 84-3/16" | 40.4 | QPEDI3660-3VE |
| 42" | 52" | 3" PAD | 21-13/16" | 36-1/4" | 43" | 55" | 78-5/8" | 50.1 | QPEDI4252-VE |
| 42" | 60" | 3" PAD | 21-13/16" | 44" | 43" | 55" | 86-3/8" | 56.2 | QPEDI4260-VE |
| 48" | 48" | 3" PAD | 23-11/16" | 32-1/4" | 49" | 61" | 78-3/8" | 63.5 | QPEDI4848-VE |
| 48" | 60" | 3" PAD | 23-11/16" | 44" | 49" | 61" | 90-1/8" | 75.6 | QPEDI4860-VE |