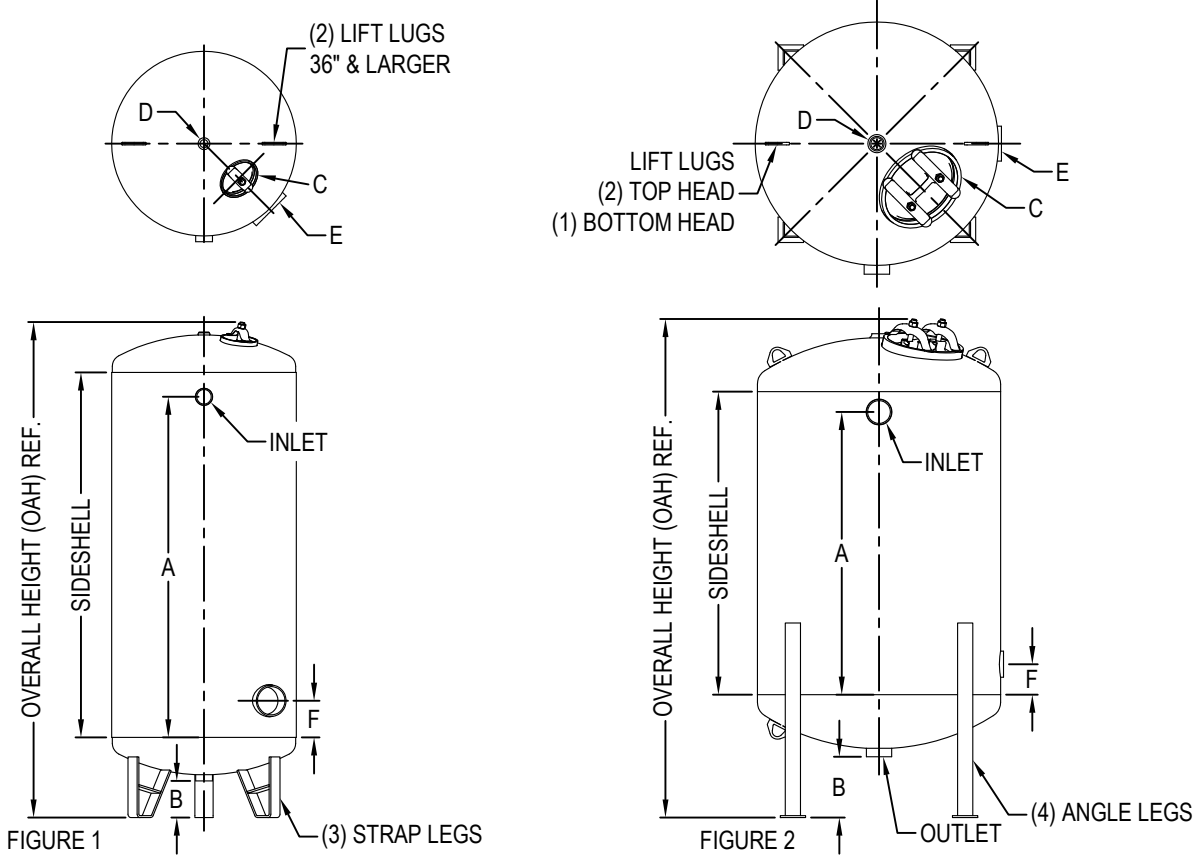


NON-CODE QUICK WATER TREATMENT (QWT) TANKS  
 NSF/ANSI STANDARD 61 CERTIFIED LINING & FINISH COATED IN SAFETY BLUE EPOXY  
 100 PSIG WORKING PRESSURE  
 (HIGHER PRESSURES & LEFT HAND MODELS ALSO AVAILABLE - CALL FOR DETAILS)



DIMENSIONAL CHART													
DIA.	SIDE SHELL	INLET / OUTLET	FIG.	A	B	C	D	E	F	OAH	VOLUME (US GAL.)	HEAD VOLUME INCL. SF* (cu. ft.)	MODEL #
20"	54"	2" NPS	1	50"	6"	4" X 6"	1" NPT	4" X 6"	6"	70"	77	0.5	QWT2054LC
	60"			55-3/4"						76"	85		
24"	54"	2" NPS	1	50"	6"	4" X 6"	1" NPT	4" X 6"	6"	72"	113	0.8	QWT2454LC
	60"			55-3/4"						78"	124		
30"	54"	2" NPS	1	50"	6"	4" X 6"	1" NPT	4" X 6"	6"	76"	188	1.9	QWT3054LC
	60"			55-3/4"						82"	205		
30"	54"	3" NPT	1	50"	9"	4" X 6"	1" NPT	6" X 8"	8"	79"	188	1.9	QWT3054LC-3
	60"			55-3/4"						85"	205		
36"	60"	3" NPT	1	55-3/4"	9"	12" X 16"	1" NPT	6" X 8"	7"	89"	298	3.0	QWT3660LC
	72"			67-3/4"						101"	350		
42"	60"	3" NPT	1	55-3/4"	9"	12" X 16"	1" NPT	6" X 8"	7"	91"	413	4.6	QWT4260LC
	72"			67-3/4"						103"	484		
48"	60"	4" NPT	2	55-3/4"	12"	12" X 16"	2" NPS	4" X 6"	6"	99"	567	7.0	QWT4860LC
	72"			67-3/4"						111"	660		
54"	60"	4" NPT	2	55-3/4"	12"	12" X 16"	2" NPS	4" X 6"	6"	101"	730	9.7	QWT5460LC
	72"			67-3/4"						113"	848		
60"	60"	4" NPT	2	55-3/4"	12"	12" X 16"	2" NPS	4" X 6"	6"	103"	915	12.9	QWT6060LC
	72"			67-3/4"						115"	1060		
66"	60"	4" NPT	2	55-3/4"	12"	12" X 16"	2" NPS	4" X 6"	6"	103"	1101	15.3	QWT6660LC
	72"			67-3/4"						115"	1276		
72"	60"	4" NPT	2	55-3/4"	12"	12" X 16"	2" NPS	4" X 6"	6"	107"	1359	21.4	QWT7260LC
	72"			67-3/4"						119"	1568		