

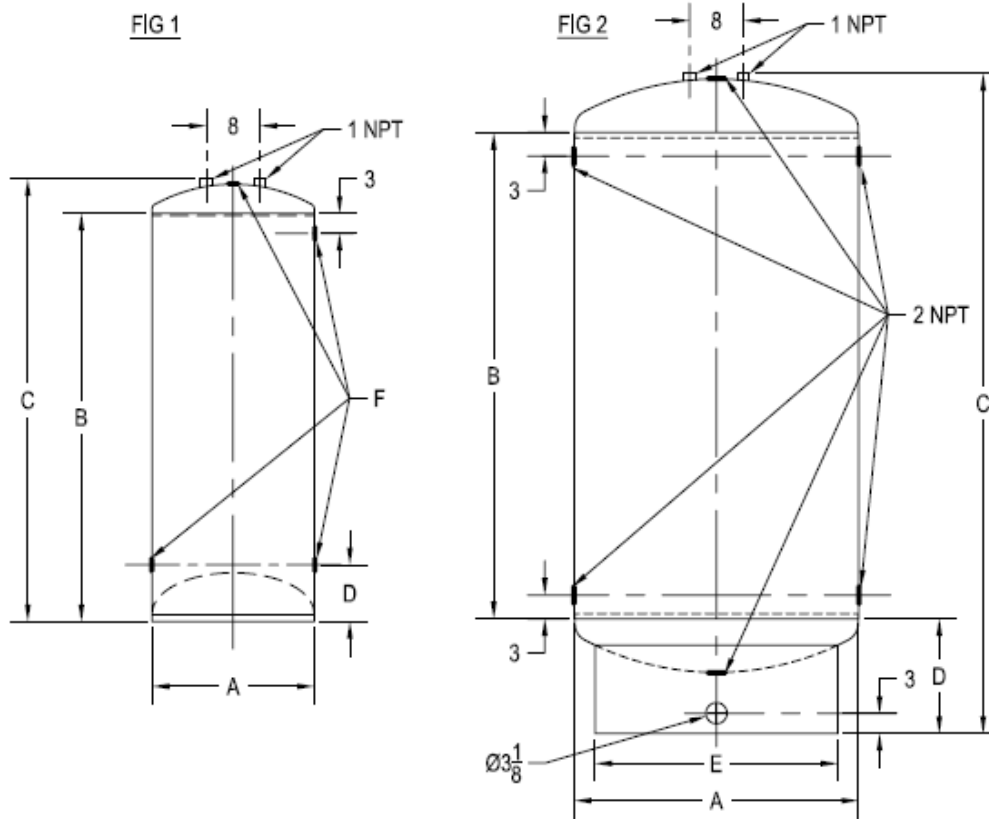
P.O.Box 338, Kendallville, IN 46755
800-348-2514 Fax 800-348-1514

NON-CODE QC61® GALVANIZED VERTICAL TANKS RANGE BOILER/ SOLAR TANKS

NSF/ANSI® STANDARD 61 CERTIFIED LINING
GALVANIZED VESSEL CERTIFIED TO NSF/ANSI STANDARDS 61 with ANNEX G and 372



125 PSIG WORKING PRESSURE



****ANODE BAR IS REQUIRED WHEN USED FOR HOT WATER SERVICE****
NSF/ANSI/FDA CERTIFICATION IS FOR COLD WATER USE ONLY

MODEL	WEIGHT	FIG #	- NOMINAL DIMENSIONS (INCHES) -					-NPT- F
			A	B	C	D	E	
RS15V	45	1	12	30	32-3/4	3	-	1
RS30V	69	1	12	60	62-3/4	3	-	1
RS42V	105	1	16	48	51	5	-	1-1/4
RS82V	151	1	20	60	63	5	-	1-1/4
RS120V	244	1	24	60	64-1/2	5	-	1-1/4